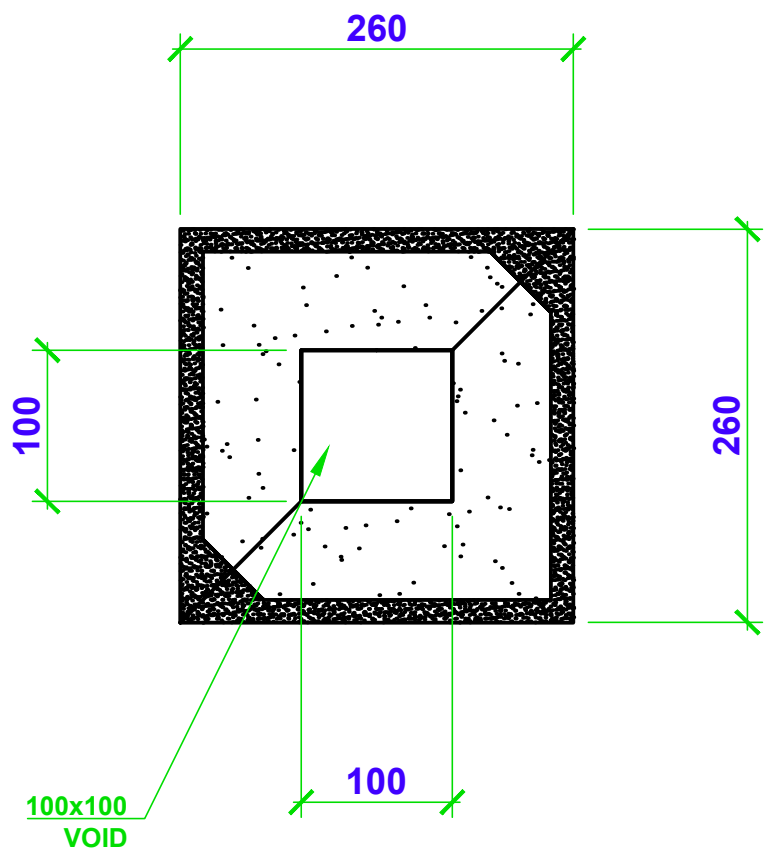


SCALE 1:16



SCALE 1:5

CUSTOMER:

O/N:

DWG NO
#CTSQR260

DRAWN BY:

DATE:
01/07/2014

SCALE
1:16/1:5

Unitex[®]