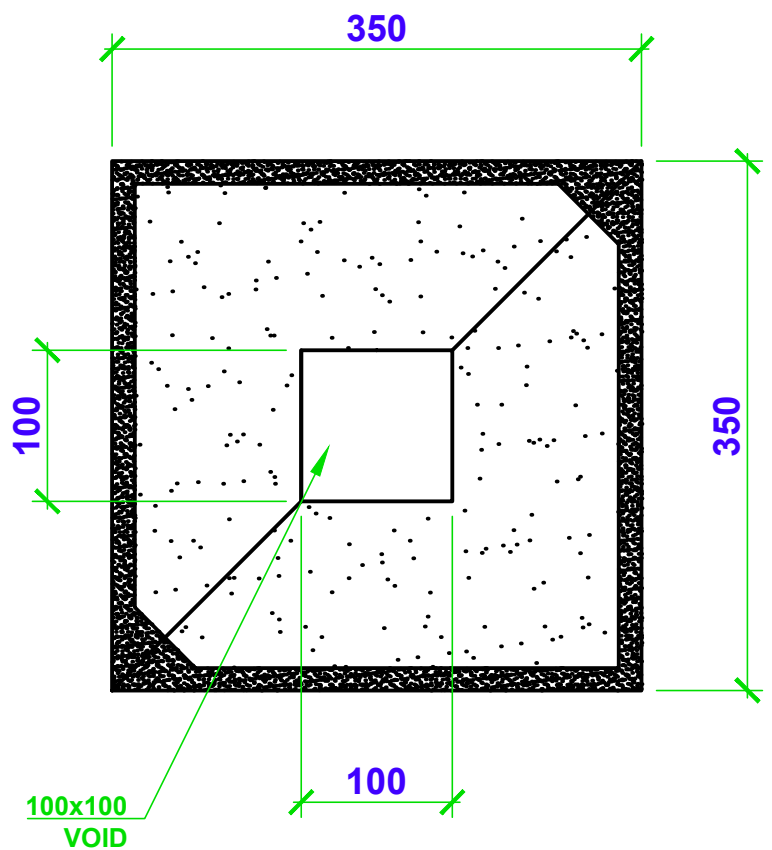


SCALE 1:16



SCALE 1:5

CUSTOMER:

O/N:

DWG NO  
#CTSQR350

DRAWN BY:

DATE:  
01/07/2014

SCALE  
1:16/1:5

**Unitex**<sup>®</sup>